

Technical Datasheet

INNOVATIVE

Weight, dimension and integration are standout advantages to the LEVA solution.

COST EFFECTIVE

It provides law enforcement officers with a cost-effective and convenient protection from a wide range of threats.

RECOMMENDED

This level of protection is recommended for any department, big or small, that is concerned with small arms fire during their daily patrols.

KEY FEATURES

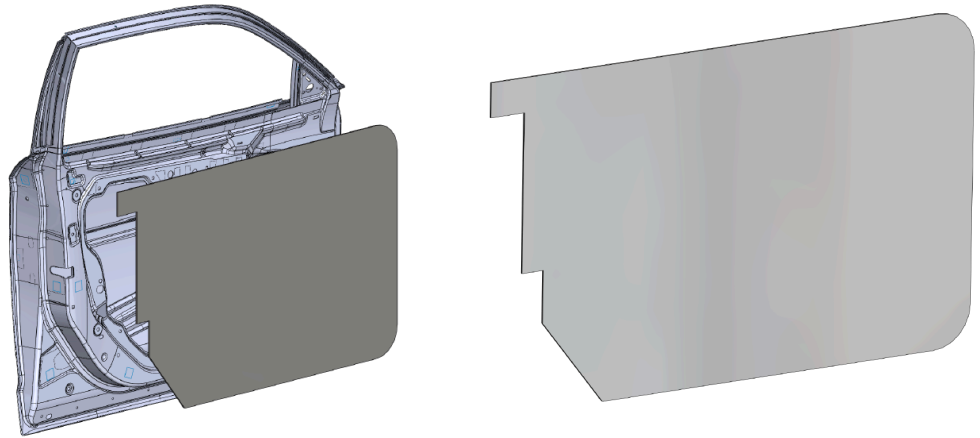
The technology is the lightest and thinnest ballistic solution available providing an unobtrusive presence in the vehicle.

COVERAGE

5-6 Square Feet

Law Enforcement Vehicle Door Armor

Our law enforcement vehicle door panels are the lightest and thinnest solution available, providing ease of installation and an unobtrusive presence in the vehicle. Armor Solutions Group International produces a variety of threat specific door panel solutions for Law Enforcement Applications.



Armor Solutions Group International has developed a LEVA IIIA that is customizable to any Police Vehicle. The LEVA IIIA system is recommended for urban use against small arms fire in typical urban Law Enforcement activity. Our LEVA IIIA system has been independently tested to NIJ Standard 0108.01.

TECHNICAL SPECIFICATIONS

Material	Rigid Composite, PVC, Adhesive
Construction	Pressed
Coverage (per door)	5-6 Sq. Ft.
Weight (per door)	5-6 lbs.
Ratings	Tested to NIJ Level IIIA Standards



Technical Datasheet

Testing Specifications

The LEVA IIIA solution has been tested to NIJ Standard 0108.01 and meets the requirements for NIJ Level III-A (below).

Type III-A Test Weapons and Ammunition

.44 Magnum

The test weapon may be a 44 Magnum handgun or test barrel. The use of a handgun with a 14 to 16 cm (5.5 to 6.25 in) barrel is suggested. Test bullets shall be 44 Magnum, lead semiwadcutter with gas checks, nominal masses of 15.55 g (240 gr), and measured velocities of 426 +/- 15 m (1400 +/- 50 ft) per second.

Submachine Gun (SMG) 9mm

The test weapon may be a 9mm SMG or test barrel. The use of a test barrel with a 24 to 26 cm (9.5 to 10.25 in) barrel is suggested. Test bullets shall be 9mm full metal jacketed, with nominal masses of 8.0 g (124 gr) and measured velocities of 426 +/- 15 m (1400 +/- 50 ft) per second.

CONTACTS

Sohail Khan, CEO
info@asgi.enterprises

Michael Kronick,
Director of Sales & Marketing
mkronick@asgi.enterprises

Test Variables and Performance Requirements

Armor Type	Test Ammunition	Nominal Bullet Mass	Suggested Barrel Length	Required Bullet	Required Hits Per Armor Specimen	Permitted Penetrations
III-A	44 Magnum Lead SWC Gas Checked	15.55 g 240 gr	14 to 16 cm 5.5 to 6.25 in	426 +/- 15 m/s 1400 +/- 50 ft/s	5	0
	9 mm FMJ	8.0 g 124 gr	24 to 26 cm 9.5 to 10.25 in	426 +/- 15 m/s 1400 +/- 50 ft/s	5	0

Abbreviations: AP - Armor Piercing FMJ - Full Metal Jacket JSP - Jacketed Soft Point LRHV - Long Rifle High Velocity RN - Round Nose SWC - Semi-Wadcutter

For more information on any of our products or services please visit us on the Web at: asgi.enterprises



9720 Liberty Hills Dr.
Liberty, MO 64068
mkronick@ASGI.enterprises